

3 Ports 980/1550nm, 1480/1550nm Filter Wavelength Division Multiplexer



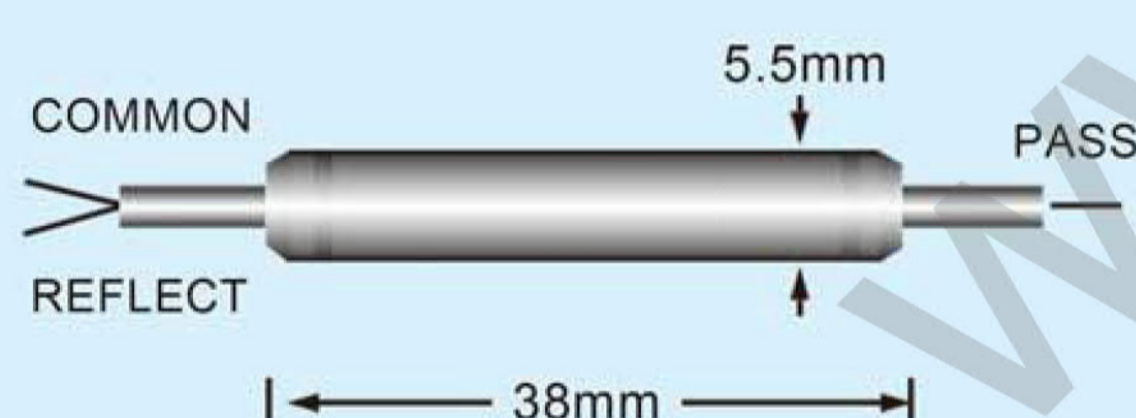
Features

- Low insertion loss
- High return loss
- Wide operating wavelength range
- High channel isolation
- High stability and reliability
- Epoxy free on optical path

Applications

- System monitoring
- WDM system
- Transmitter and fiber laser
- Fiber optical amplifier
- Fiber optic instrument

Package Dimension



Performance Specifications

Parameter		MWDM-54	MWDM-59
Pass Channel Wavelength Range (nm)		1530 ~ 1565	1525 ~ 1600
Reflect Channel Wavelength (nm)		1450 ~ 1490	965 ~ 1000
Insertion Loss (dB)	Pass Channel	≤0.6	≤0.9
	Reflect Channel	≤0.5	≤0.7
Insertion Loss Variation (dB)		≤0.3	
Isolation (dB)	Pass Channel	≥25	≥30
	Reflect Channel	≥15	≥15
Insertion Loss Temperature Sensitivity (dB)		≤0.3	
Polarization Dependent Loss (dB)		≤0.1	
Polarization Mode Dispersion (ps)		≤0.1	
Directivity (dB)		≥50	
Return Loss (dB)		≥50	
Maximum Power Handling (mW)		300	
Operating Temperature (°C)		-10~+70	
Storage Temperature (°C)		-40~+85	
Fiber Type		Corning SMF-28e fiber	Corning HI 1060 fiber at Common & Reflection port, SMF-28e fiber at pass port
Package Dimension (mm)	For 250μm, 900μm	Φ5.5 x L38	
	For 2.0mm, 3.0mm	L90 x W20 x H10	

Above specifications are for devices without connector.
Specifications may change without notice.

Ordering Information

FWDM	□□	□	□	□	□
	Wavelength	Package	Fiber Diameter	Fiber Length	Connector
	54=1550 pass/1480 reflect 59=1550 pass/980 reflect	1=Steel Tube 2=ABS Box Module 3=Specify	0=250μm 1=900μm 2=2.0mm 3=3.0mm	1=1m 2=2m S=Specify	0=None 1=FC/APC 2=FC/UPC 3=SC/APC 4=SC/UPC 5=LC/APC 6=LC/UPC 7=ST S=Specify